

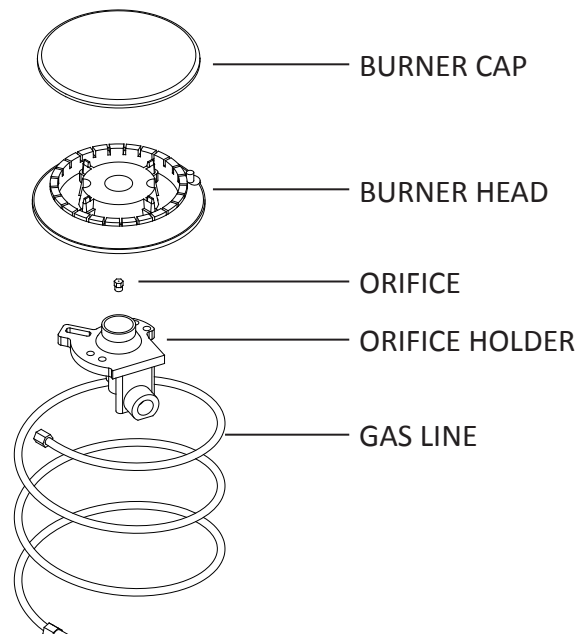


**GAS CONVERSION KIT FROM NG TO LP, PN: CKLP-DHSB-C  
FOR MODELS: DELTA HEAT SIDE BURNERS  
(DHSB2-C, DHSB1D-C)**

1. All gas connections/conversions should be made by a qualified technician and in accordance with local codes and ordinances.
2. Before conducting a conversion to a gas appliance, verify that the main gas is shut off and disconnected from the appliance.
3. Make sure that you have the Side Burner LP Gas Conversion Kit as follows:

P/N	DESCRIPTION	QTY
S12602	COUPLING, 3/8 FLARE X 1/2 FIP	1
S13341	ORIFICE, 1.14 mm	2
S15344	REGULATOR, LP WITH HOSE	1
S18351	LABEL, CONVERSION, GAS	1

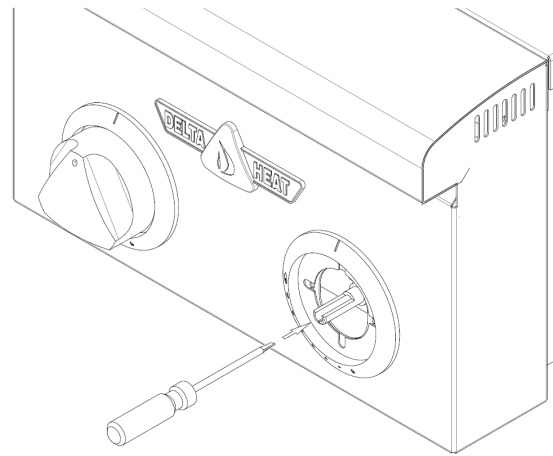
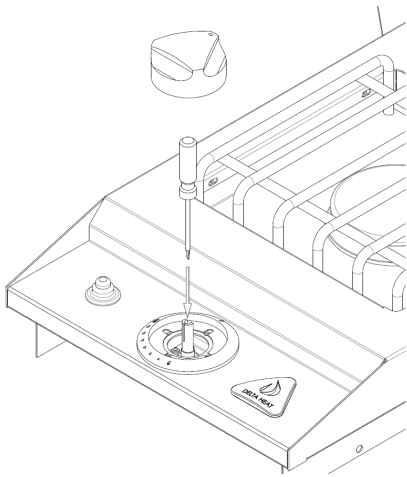
4. Remove the black burner cap to expose the center orifice.
5. Remove center orifice # 1.95 mm by using a 7-mm. wrench.
6. Replace the orifice with # 1.14 mm.



7. Remove the NG regulator from the unit.
8. Install the coupling, and then connect the LP regulator to the coupling. **Note:** Use appropriate gas sealer.

**9. NEVER USE THE SIDE BURNER WITHOUT FIRST LEAK TESTING THE GAS CONNECTION.**

- A. Prepare a leak testing solution of sudsy water by mixing in a spray bottle with half liquid soap and half water.
  - B. Confirm that all control knobs are in the “OFF” position.
  - C. Turn the main gas valve supply “ON”.
  - D. Apply leak testing solution by spraying on the pipe joints, fittings, and hose.
  - E. A gas leak is detected if;
    - i. there is a faint gas smell and/or
    - ii. growing bubbles appear on any of the connection points and/or hose. **DO NOT** attempt to ignite the burner and **IMMEDIATELY** turn off the gas supply valve.
  - F. When there is a gas leak, call a qualified service technician. **DO NOT** use the until the leak is corrected.
10. Turn on burners. Set burners to low setting and check for burner flame height. If the flames are too high for simmering or too low that they would not stay lit, adjust the low flame setting.
- A. To adjust low flame setting, pull out burner knob towards you. This will expose the valve stem.
  - B. Insert a flat, skinny screw driver into the stem and turn the adjusting screw to the left to increase the flame or to the right to decrease the flame. **DO NOT OPEN THE SCREW TOO MUCH, THE SCREW COULD FALL OFF THE STEM AND CAUSE A LEAK.**



11. The conversion is complete. Fill out the Conversion Label. Next, paste it next to the original Serial Plate. Please refer back to the User’s Manual.

**⚠ WARNING: CALIFORNIA PROPOSITION 65**

This product can expose you to chemicals including carbon monoxide which is known to the State of California to cause cancer and reproductive harm. To minimize exposure to the by-products of the burning fuel or from combustion, always operate this unit according to the use and care manual and provide good ventilation. California law requires businesses to warn customers of potential exposure to such substances. For more information go to [www.P65Warnings.ca.gov](http://www.P65Warnings.ca.gov).

**⚠ AVERTISSEMENT: PROPOSITION 65 DE L’ETAT DE LA CALIFORNIE**

Cet appareil peut vous exposer aux produits chimiques et au gaz monoxyde de carbone reconnue dans l’Etat de la Californie pour causer le cancer et des problemes de fertilité. Pour minimiser l’exposition de ces-sous produits combustibles ou de la combustion, utiliser toujours cet appareil en conformitee au manuel d’utilisation et d’entretien en s’assurant egalement d’une bonne ventilation. La loi de la Californie exige aux fabricants d’informer leurs clients aux risques d’exposition potentielle a de telles substances. Pour plus d’information, visiter le site [www.P65Warnings.ca.gov](http://www.P65Warnings.ca.gov)

**In Massachusetts:** All gas products must be installed using a “Massachusetts” licensed plumber or gas fitter. A “T” handle type manual gas valve must be installed in the gas supply line to this appliance. This applies to permanently installed natural gas and propane installations. This does not apply to propane portable installations using a 20 pound tank.