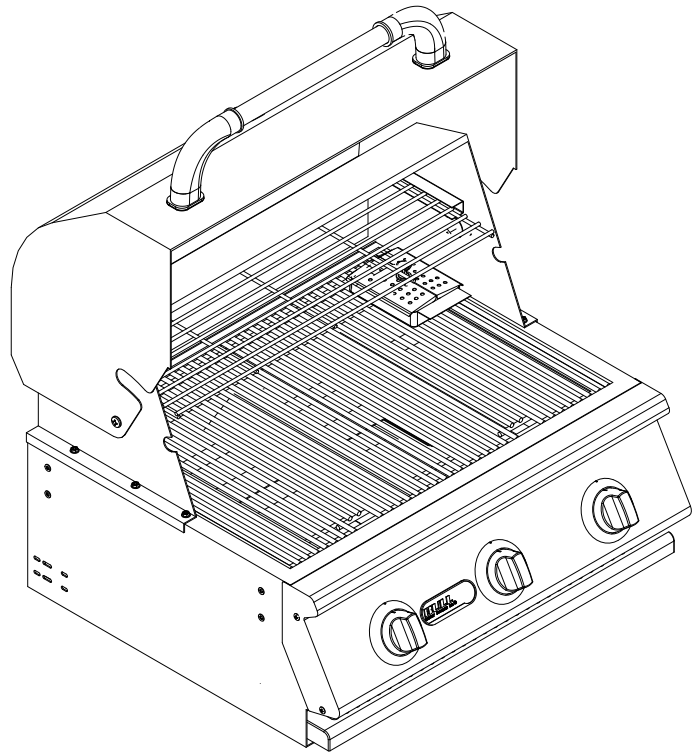




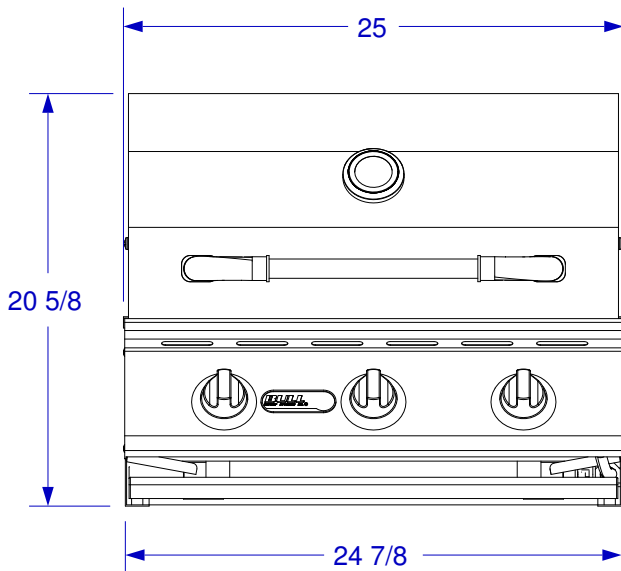
# STEER GRILL

# SPEC SHEET

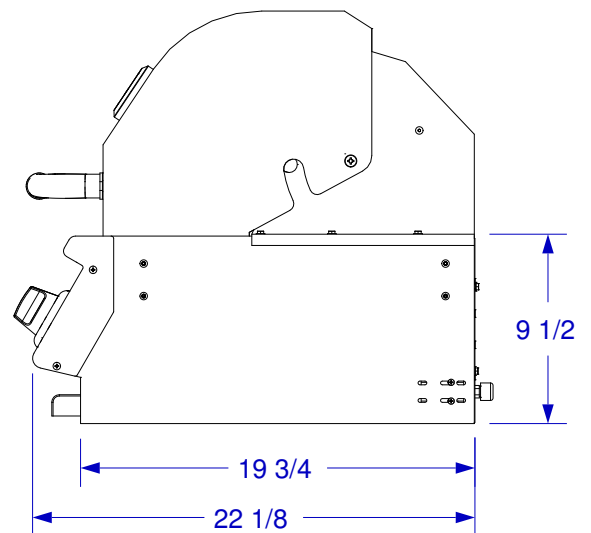
\*ISLAND MUST BE CONSTRUCTED WITH NON-COMBUSTIBLE MATERIALS; REFER TO GRILL OWNERS MANUAL.



ISOMETRIC VIEW



FRONT VIEW



RIGHT SIDE VIEW

**NOTES:**

- 1. CUTOUT DIMENSIONS: 25 3/4" W X 19 1/2" L X 10" D
- 2. SCALE: 1 1/4" = 1'-0"
- 3. REVISION: 10/2009