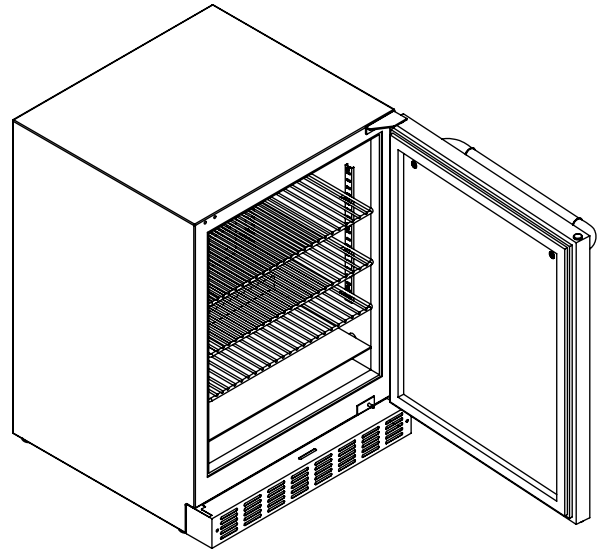
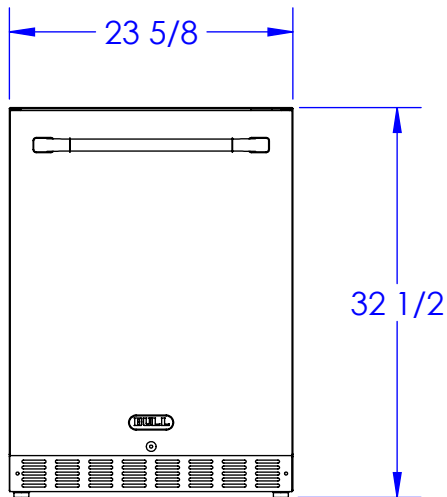




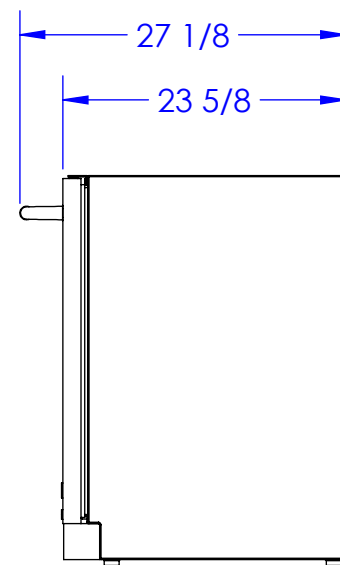
PREMIUM OUTDOOR REFRIGERATOR SERIES II SPEC SHEET



ISOMETRIC VIEW



FRONT VIEW



RIGHT SIDE VIEW

NOTES:

1. CUTOUT DIMENSIONS: 24 1/4" W X 33" H X 23 5/8" D
2. CUTOUT DIMENSIONS ARE FOR REFRIGERATOR ONLY. REFER TO PREMIUM OUTDOOR REFRIGERATOR FRAME SPEC SHEET FOR REFRIGERATOR FRAME CUTOUT DIMENSIONS.
3. SCALE : 3/4" = 1'-0"