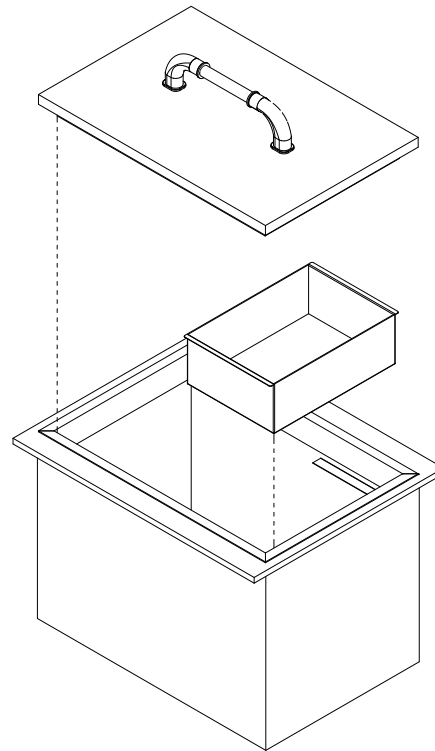
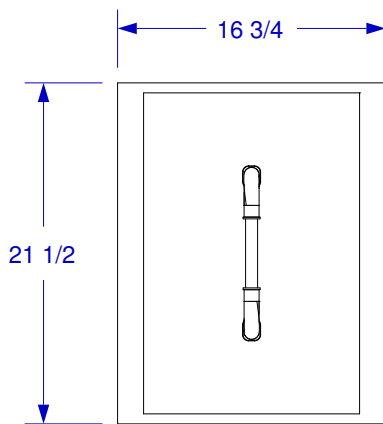




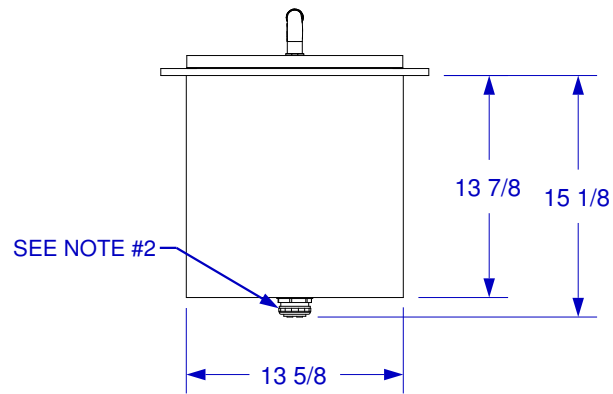
**ICE CHEST**  
**SPEC SHEET**



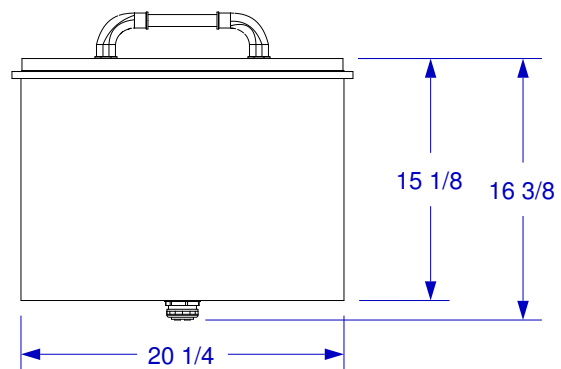
ISOMETRIC VIEW



TOP VIEW



FRONT VIEW



RIGHT SIDE VIEW

**NOTES:**

1. CUTOUT DIMENSIONS: 13 3/4" W X 20 1/2" L X 15 1/2" D
2. 1 1/2" DRAIN LINE.
3. SCALE: 1" = 1'-0"
4. REVISION: 10/2009